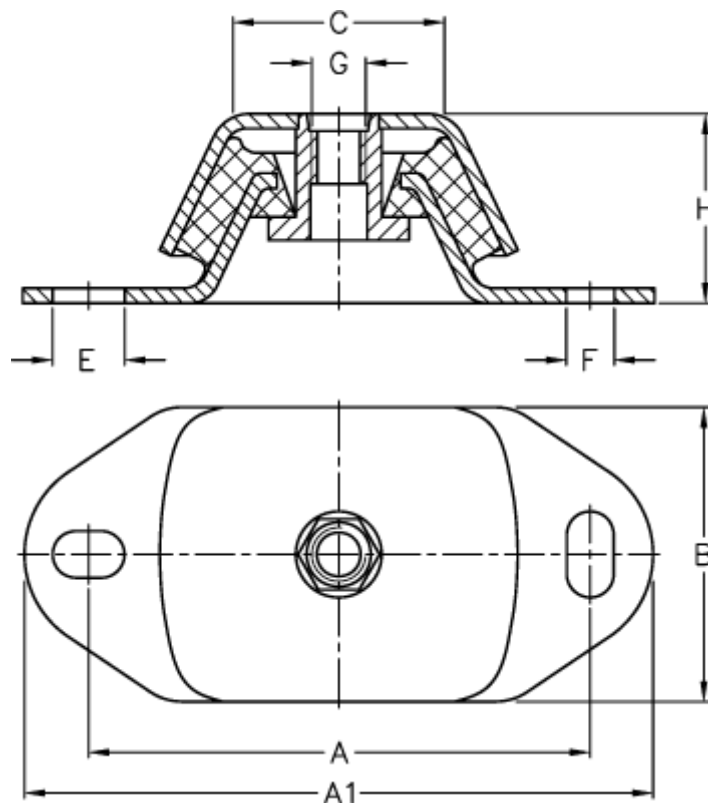


Article number: 51834463100010

Description: Vibration damper MF 03

## Measures



A = 100

A1 = 120

B = 60

C = 60

E = 11x14

F = 11x14

G = M10

H = 40